



Pressalit 2000 / 2100 Hi Lo Changing Table Product Details

Features: Adjustable height, folding, wall-mounted changing table.

Now also available in fixed height.

Receiver tray captures fluids.

Pressalit features at budget-friendly prices.

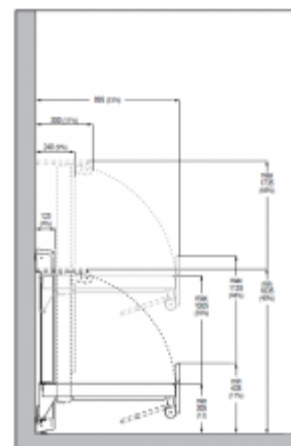
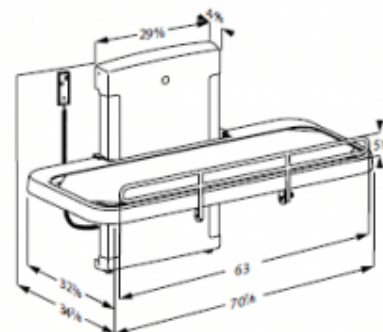
Soft, pliable mattress.

Available in two styles:

- Mesh cover that's machine washable. (Model 2000)
- Coated canvas that's easily wiped clean. (Model 2100)

Both styles are removable for easy cleaning or replacement.

Completely accessible for cleaning and disinfecting.



Dimensions: Adjusts from 12" to 39.5"

Table: 32.25" wide x 71" long

Projection from wall:

Folded: 9.5"

Unfolded: 34.5"

Adjustable Height:

Model 2000 — SKU: R8591218000 (mesh cover)

Model 2100 — SKU: R8591418000 (coated canvas mattress)

Fixed Height:

Model 2000 — SKU: R8425218000 (mesh cover)

Model 2100 — SKU: R8425418000 (coated canvas mattress)

Construction:

Powder-lacquered stainless steel frame.

Pneumatic cylinders for easy folding.

Suitable for use with hand-held shower.

(Not intended for shallow bathing. Keep mattress in place while in use.)

PVC (phthalate-free) pliable mattress. Choose:

- Machine-washable mesh cover. (Model 2000)
- Coated canvas for easy wipe-ups. (Model 2100)

Installation:

Retrofit friendly.

Anchors to wood blocking, masonry or concrete.

Mounting hardware included.

Electrical:

Integrated transformer and US 8' power cord included.

Linak liquid tight actuator and control system.

Maintenance free motor.

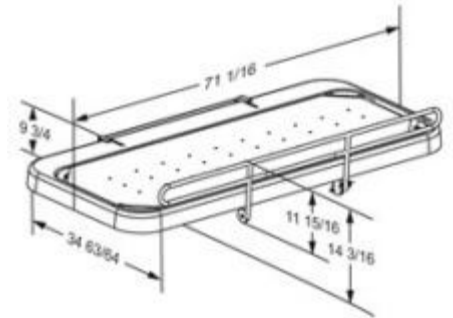
24v/1amp via 120 GFI wall outlet

110 Volt and 3,9 Amp gives 390 Watts

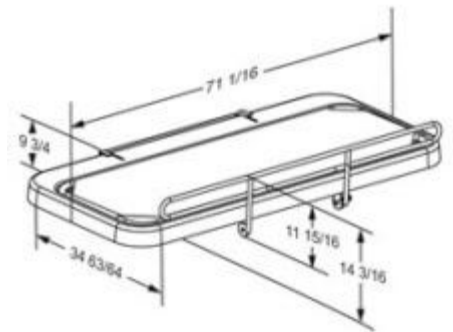
Effect(P) = Volt (U) x Ampere (I)

390 VA (Watt) = 110 V X 3,9 A

390 Watt which is the maximum effect; power consumption is approximately 0 when not in use.



Fixed Height; mesh cover



Fixed height; coated canvas mattress

(Click image to enlarge.)

Installation Drawings:

[Pressalit 2000/2100 Hi Lo Changing Table](#)

[Pressalit 2000/2100 Fixed Height Changing Table](#)

[Installation Demonstration \(Video\)](#)

CAD/BIM (Revit) Files:

[Downloadable CAD Drawing](#)

[Downloadable BIM \(Revit\) File](#)

Fixed Height:

[Downloadable CAD Drawing](#)

Noise level: 48 decibel. Whisper quiet.
All components, including hand control, are sealed, waterproof, and UL listed.

Safety Side

Folds up or down.

Rail:

Easy one-handed operation.

Stores and locks under the table.

May be added to existing installations.

(Contact our Sales Office to purchase separately.)

Weight

Adjustable: Maximum user weight (MUM): 441 lbs.

Capacity:

When the table is loaded with 441 lbs, each mounting bolt supports 57 lbs.

Fixed: Maximum user weight (MUM): 386 lbs.

When the table is loaded with 386 lbs, each mounting bolt supports 115 lbs.

This product has been tested statically with a load of 970 lbs as the IEC 60601-1 standard requires testing with a safety factor 2.5.

Product

161 lbs

Weight:

Availability:

Sold throughout the United States

Delivery:

1-2 weeks

Discount:

Product price and shipping discount when purchasing multiple units.

Call for details. 800.577.1555

Warranty:

Five years limited warranty on parts; one year on labor.

[See our complete warranty and other policies here.](#)

(Model 2000)

[Downloadable CAD Drawing](#)

(Model 2100)

Use a licensed contractor or plumber to install the product to avoid personal injury or property damage.

User Manuals:

[Pressalit 2000/2100 Adjustable Height User Manual](#)

[Pressalit 2000/2100 Fixed Height User Manual](#)

[How-To Infographic](#)

(Laminated version available on request.)

Adjustable Height Submittal Info Spec Sheet (pdf)

Fixed Height Submittal Info Spec Sheet (pdf)



Find architectural resources

Subject to change. Last updated May 2023.

Access Your World

MAX-Ability offers complete restroom solutions that provide comfort, safety, and dignity to wheelchair users and caregivers, including ergonomic adjustable changing tables, sinks, toilets, and shower seats for total accommodation for everyone. Call us today and access your world!

1.800.577.1555



Customer Service

[Purchasing & Payment Methods](#)

[Delivery / Returns / Warranty](#)

[Privacy Policy](#)

[Terms and Conditions](#)

Resources

[Product Manuals](#)

[Installation Drawings](#)

[Internet Resources](#)

[Architects Resources \(inc. Specs/CAD\)](#)

Connect with us

f L U 1



All rights reserved. Copyright 2023 © **MAX-Ability, Inc.**

MAX-Ability provides special needs equipment to consumers and businesses in the USA and Canada